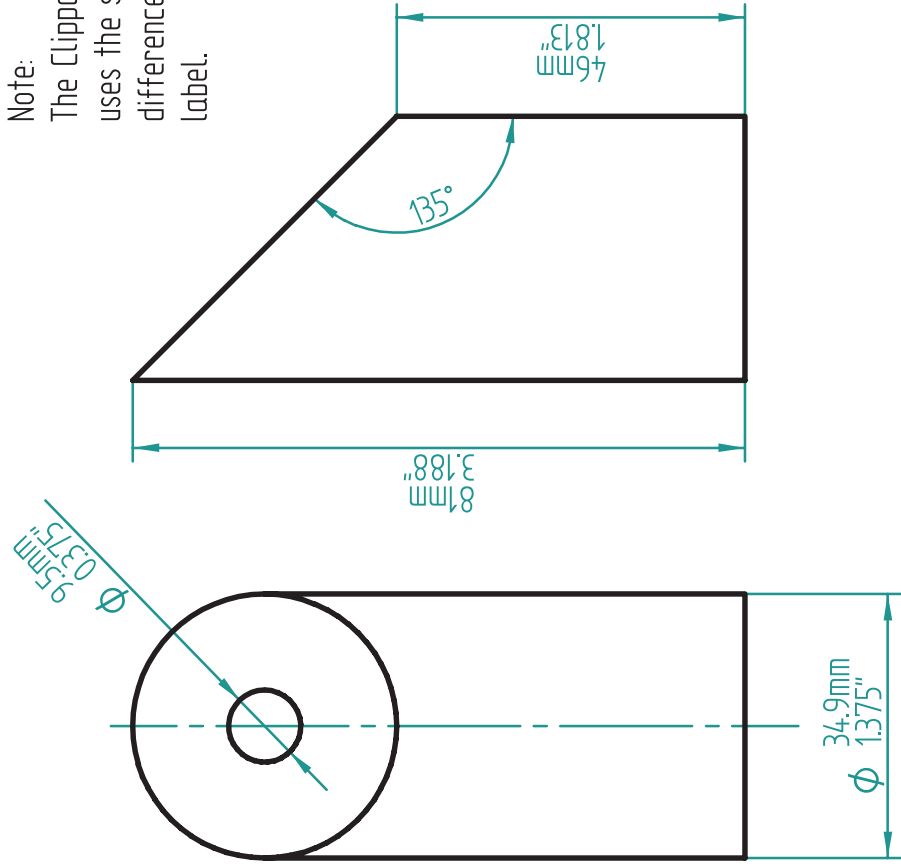


Primary Power Distributor (PPD) &
 Clippard R701 Pressure Regulator
 GB I Protonpack
 Revision 0.97
 Sheet 13



Note:
 The Clippard R501 Flow Control Valve uses the same body. The only visible difference is the back side of the label.

