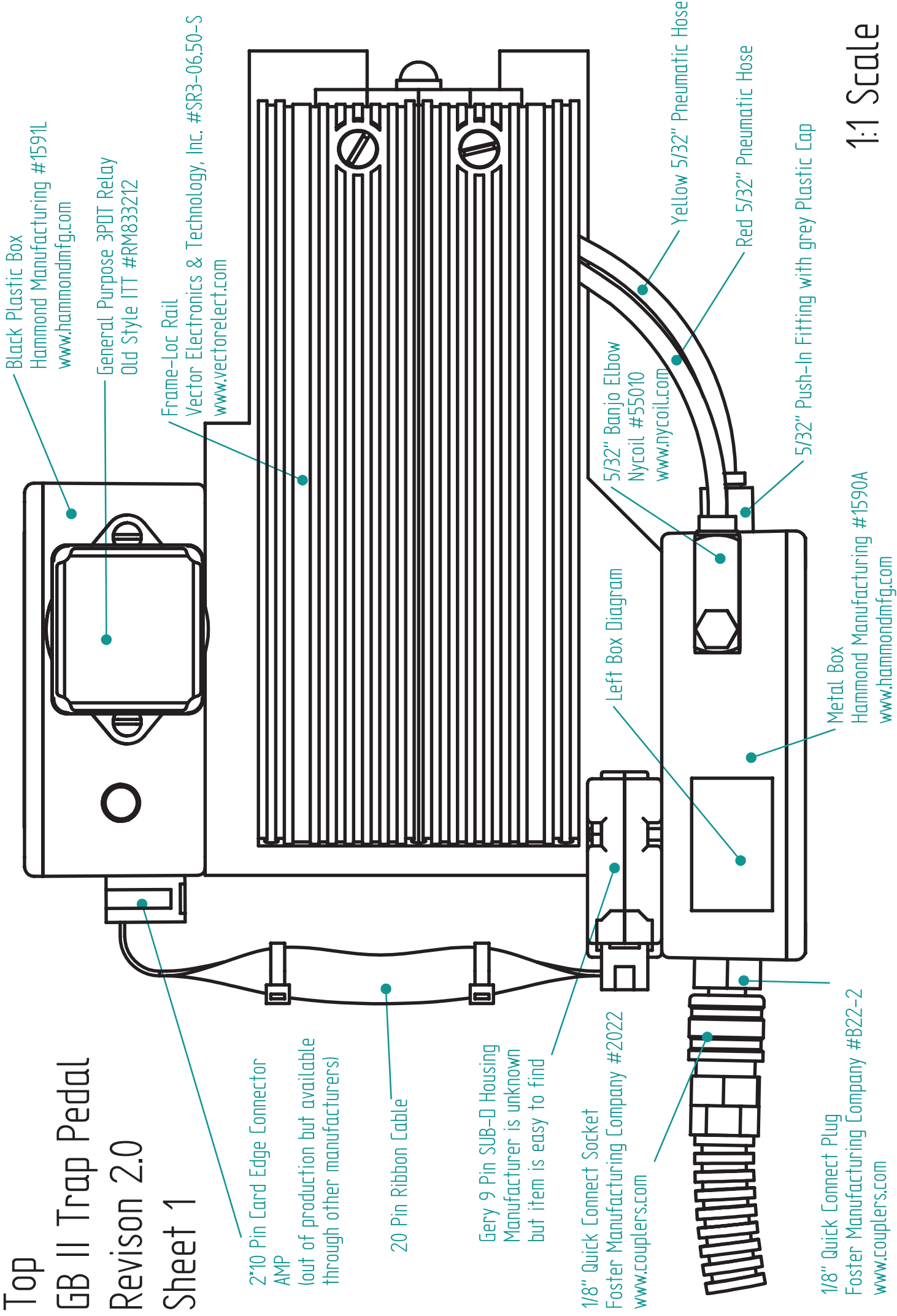


Top
 GB II Trap Pedal
 Revision 2.0
 Sheet 1



Black Plastic Box
 Hammond Manufacturing #1591L
www.hammondmfg.com

General Purpose 3PDT Relay
 Old Style ITT #RM833212

Frame-Loc Rail
 Vector Electronics & Technology, Inc. #SR3-06.50-S
www.vectorelect.com

2*10 Pin Card Edge Connector
 AMP
 (out of production but available
 through other manufacturers)

20 Pin Ribbon Cable

Gery 9 Pin SUB-D Housing
 Manufacturer is unknown
 but item is easy to find

1/8" Quick Connect Socket
 Foster Manufacturing Company #2022
www.couplers.com

1/8" Quick Connect Plug
 Foster Manufacturing Company #B22-2
www.couplers.com

Left Box Diagram

5/32" Banjo Elbow
 Nycoil #55010
www.nycoil.com

Yellow 5/32" Pneumatic Hose

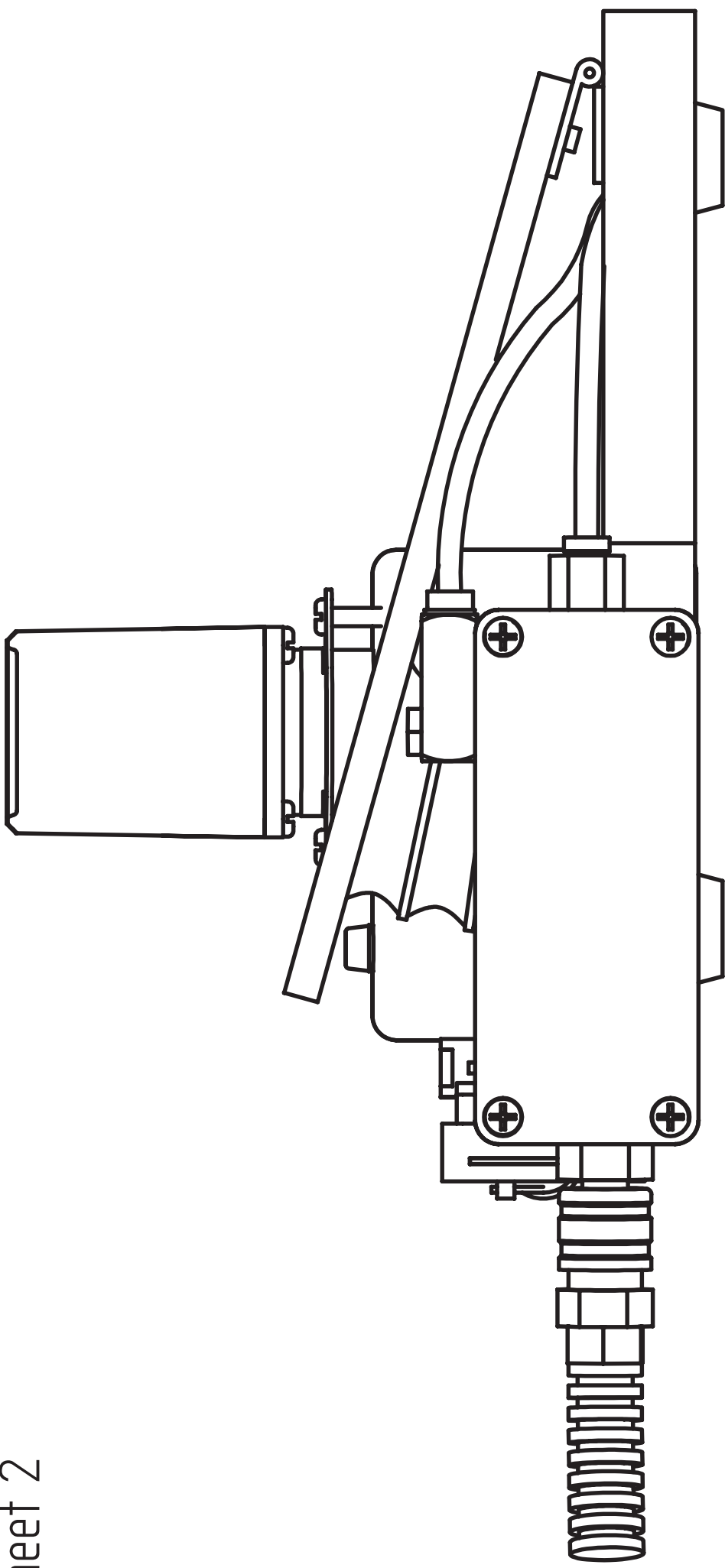
Red 5/32" Pneumatic Hose

5/32" Push-In Fitting with grey Plastic Cap

Metal Box
 Hammond Manufacturing #1590A
www.hammondmfg.com

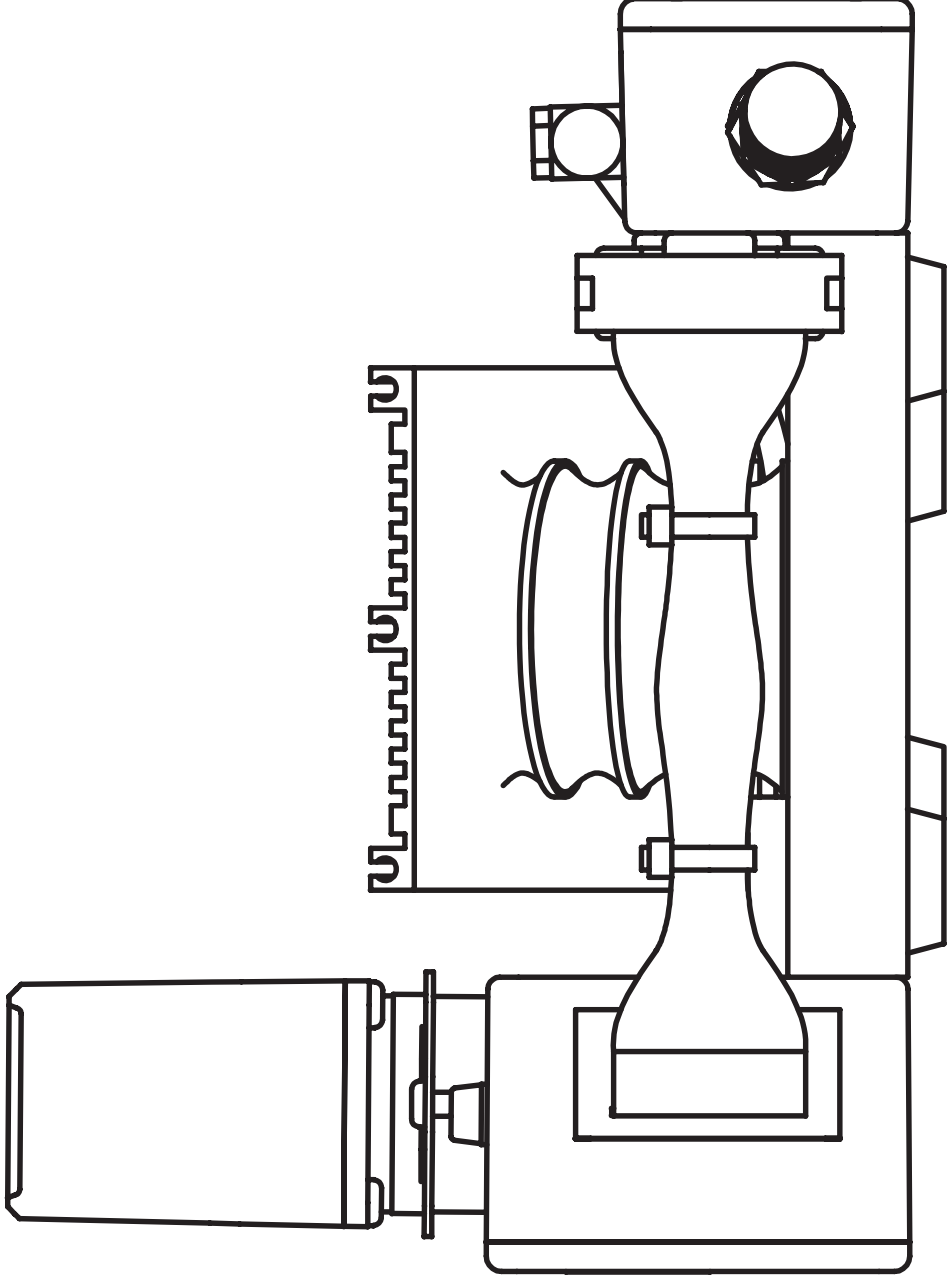
1:1 Scale

Left
GB II Trap Pedal
Revision 2.0
Sheet 2



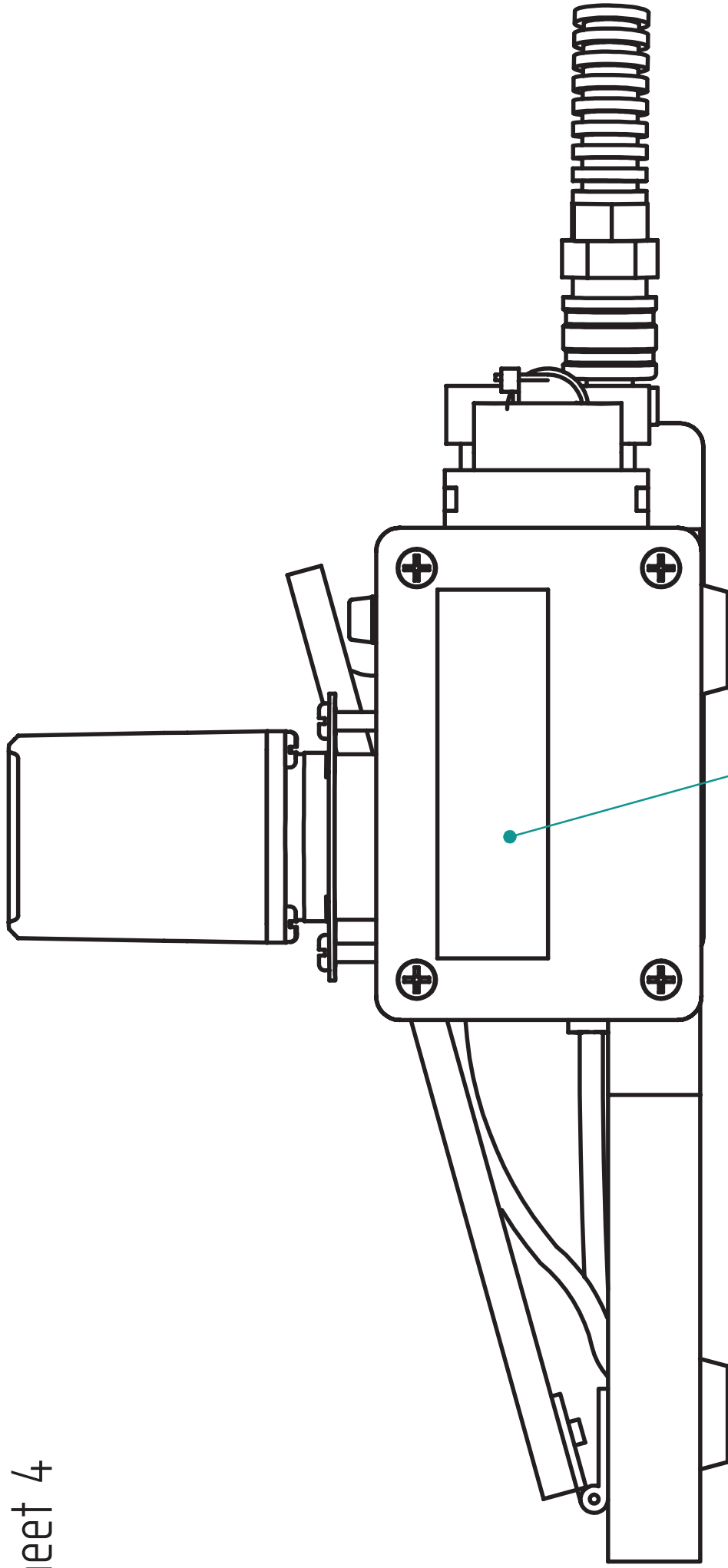
1:1 Scale

Front
GB II Trap Pedal
Revision 2.0
Sheet 3



1:1 Scale

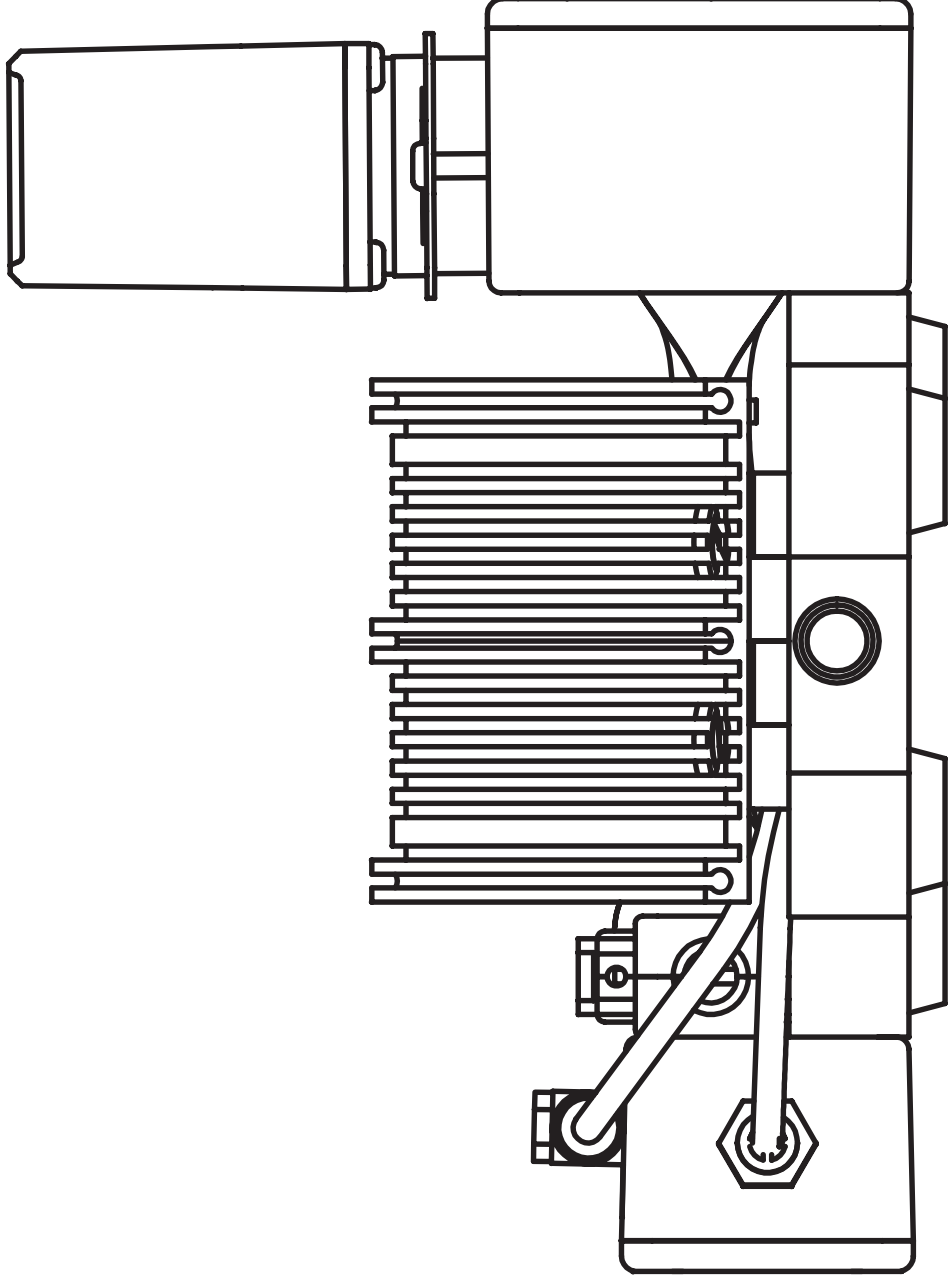
Right
GB II Trap Pedal
Revision 2.0
Sheet 4



Right Box Diagram

1:1 Scale

Back
GB II Trap Pedal
Revision 2.0
Sheet 5



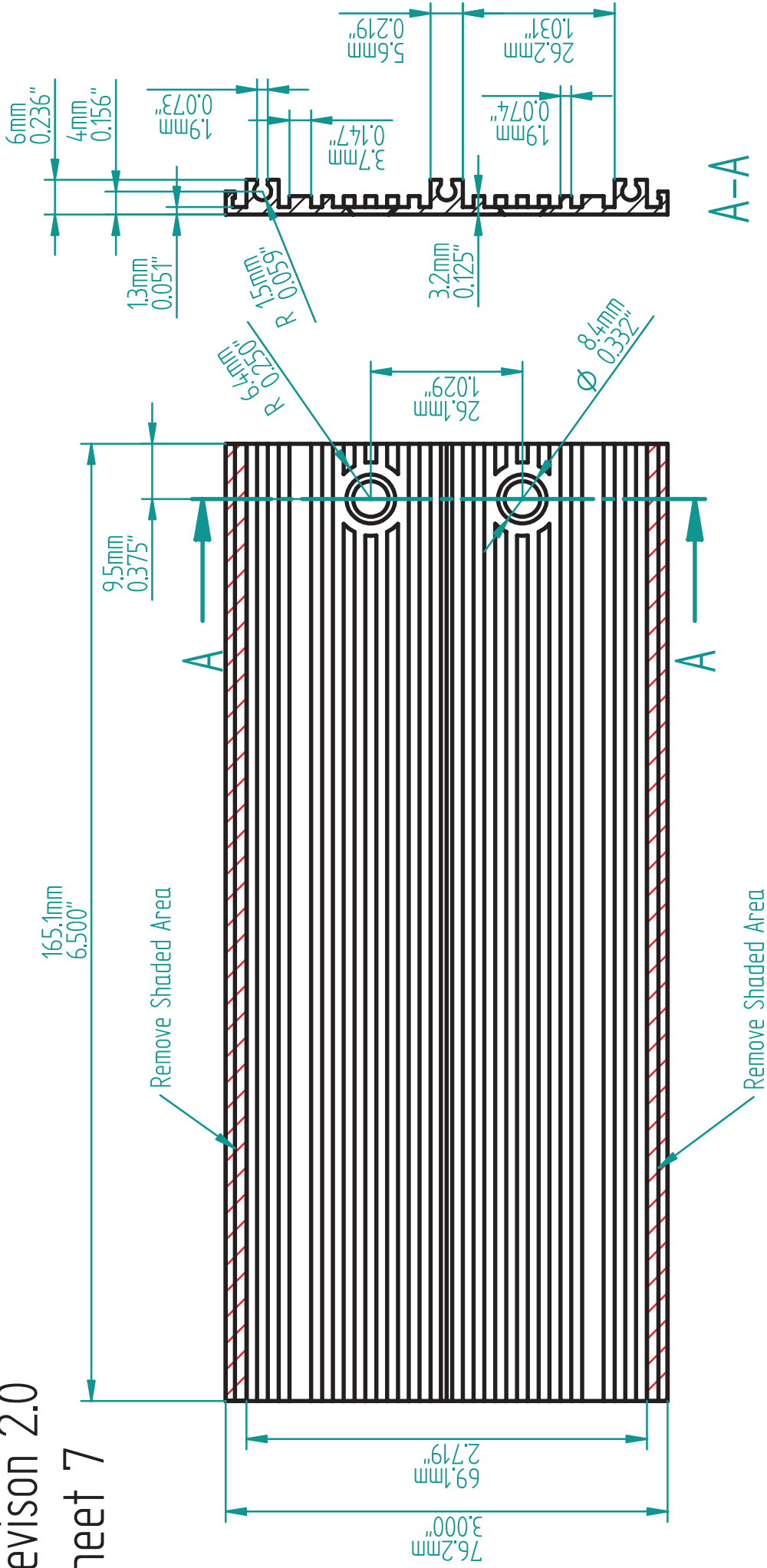
1:1 Scale

Pedal

GB II Trap Pedal

Revision 2.0

Sheet 7



Note: The pedal is based on an extruded aluminium profile made by VECTOR ELECTRONICS & TECHNOLOGY, INC. (www.vectorelect.com). The standard length for this "Frame-Loc Rail" is 4" (104.14mm). You can order the correct size using the ordering code SR 3-06.50-S. As an alternative you could order a kit for the EFP-Module EFP304A66F which includes two plates of the correct size.

1:1 Scale